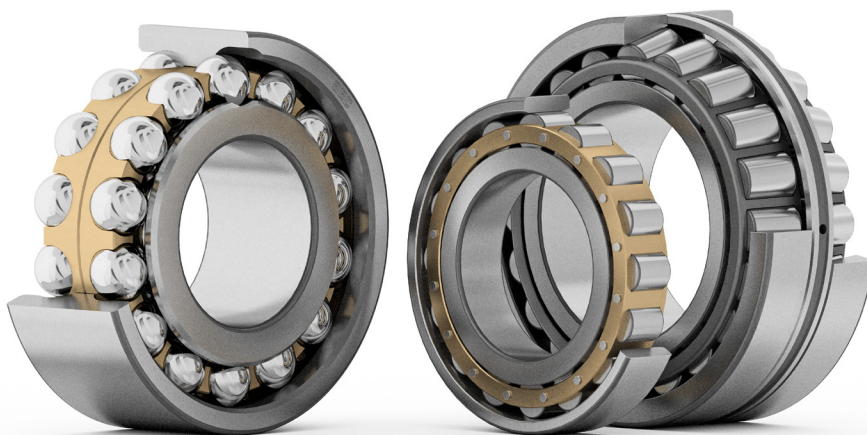




Think Motion | Think AEC

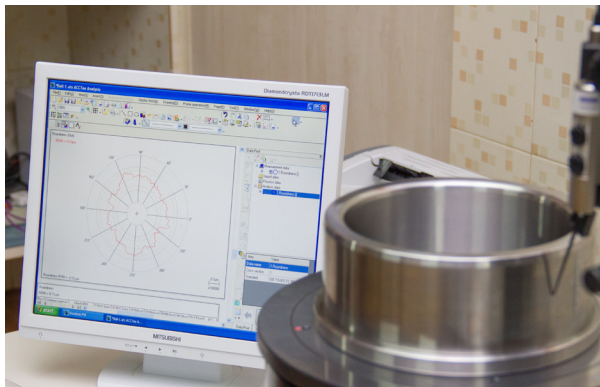
Railway Bearings



AEC Bearings for Railway Applications

For railroad industry, the ever-growing demands on energy cost reduction, greener fleets combined with passengers' high expectations for pleasurable travel experience is no easy task. Understanding these challenges is what differs AEC from our competitors.

With over 40 years of experience in engineering and manufacturing rolling bearings, AEC has demonstrated its ability to provide solutions that are at the forefront of technology. Our bearings satisfy the most demanding requirements while assuring our customers exceptional quality and complete reliability. AEC's wide range of products is backed by its expert support that provides technical and sales services from the development phase all the way through on-site application fitment to ensure reliability and longevity.



Optimized for Robustness

AEC bearings feature high reliability, robust design, and low maintenance: perfectly matched for applications such as wheel axles, gearboxes, and traction motors that are exposed to high loads, shocks and vibrations, and are subject to high safety standards. Higher torque and rolling resistance require more power and more fuel to operate. AEC's low torque bearings help reduce overall railcar rolling resistance, resulting in improvements in fuel efficiency and bearing operating temperatures.

AEC bearings are designed to retain lubrication effectively and exclude contaminants that can affect the overall bearing and system performance. AEC has also engineered full complement bearings for heavier loadings, wheel axles, gearboxes, and traction motors.



AEC Advantage

- Synergistic development with customer
- Design & manufacturing for wide range of products
- Specially developed production & inspection techniques
- Highest quality, reliability, & traceability
- Short turn-around times

AEC Bearings offer

- high radial & axial load capacities
- low friction & energy consumption
- high reliability & operational safety
- lower maintenance costs

Gearbox & Traction Motor Applications

Standard and Custom

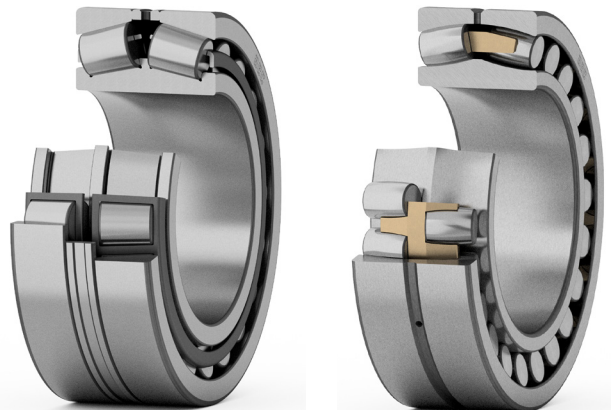
- Four-point Contact Ball Bearings
- Cylindrical Roller Bearings
- Tapered Roller Bearings



Axle & Chassis Applications

Standard and Custom

- Tapered Roller Bearings
- Cylindrical Roller Bearings
- Spherical Roller Bearings





AEC Bearings

Austin Engineering Company Limited, AEC, is the manufacturer of the widest range of rolling element bearings in a single plant in India without any domestic or foreign collaboration.

Founded by five technocrats in 1973, today AEC has grown into a public limited company manufacturing over 6000 size/types of high quality bearings and their components.

AEC has

- over 4 decades of manufacturing excellence and innovation
- ISO 16949, ISO 9001, ISO 14001, ISO 18001 certifications (TUV Rheinland)
- customer base across 4 continents
- wide range of standard and custom products spanning across various applications

For more information please contact

Austin Engineering Company Limited

Village - Patla, Taluka - Bhesan
Junagadh 363030, Gujarat
INDIA

+91 2873 252223
+91 2873 252268
sales@aec.com
www.aec.com

Your local AEC Representative

Austin Engineering Company USA

12600 Deerfield Parkway, Suite 100
Alpharetta, GA 30004
INDIA

+1 6787997880
aec-usa@aec.com
www.aec.com

Although every care has been taken to ensure the accuracy of the information contained in this publication, AEC accepts no liability whatsoever due to errors or omissions. AEC reserves the right to change any product specifications. All rights reserved.
© Austin Engineering Co. Ltd.